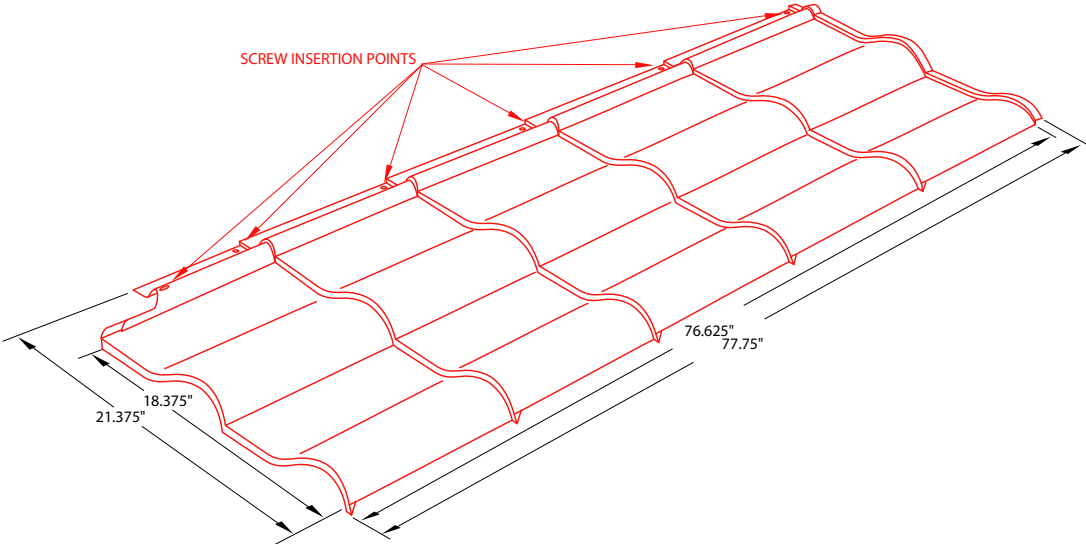

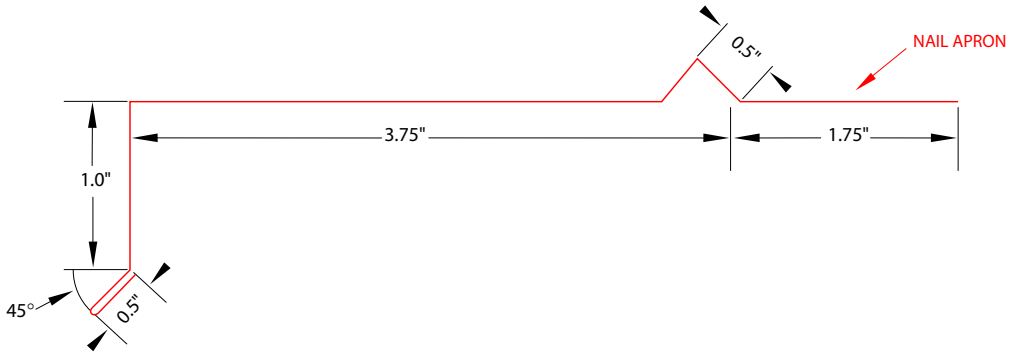


FUTURE MEDITERRANEAN TILE



	FUTURE ROOF[®] SYSTEMS	
	9969 RIVER WAY DELTA, B.C. CANADA V4G 1M8	
DATE: JUNE 2003 FILE: AT_TILE_A	SECTION: 1	PAGE

STARTER STRIP
(10 FT.)

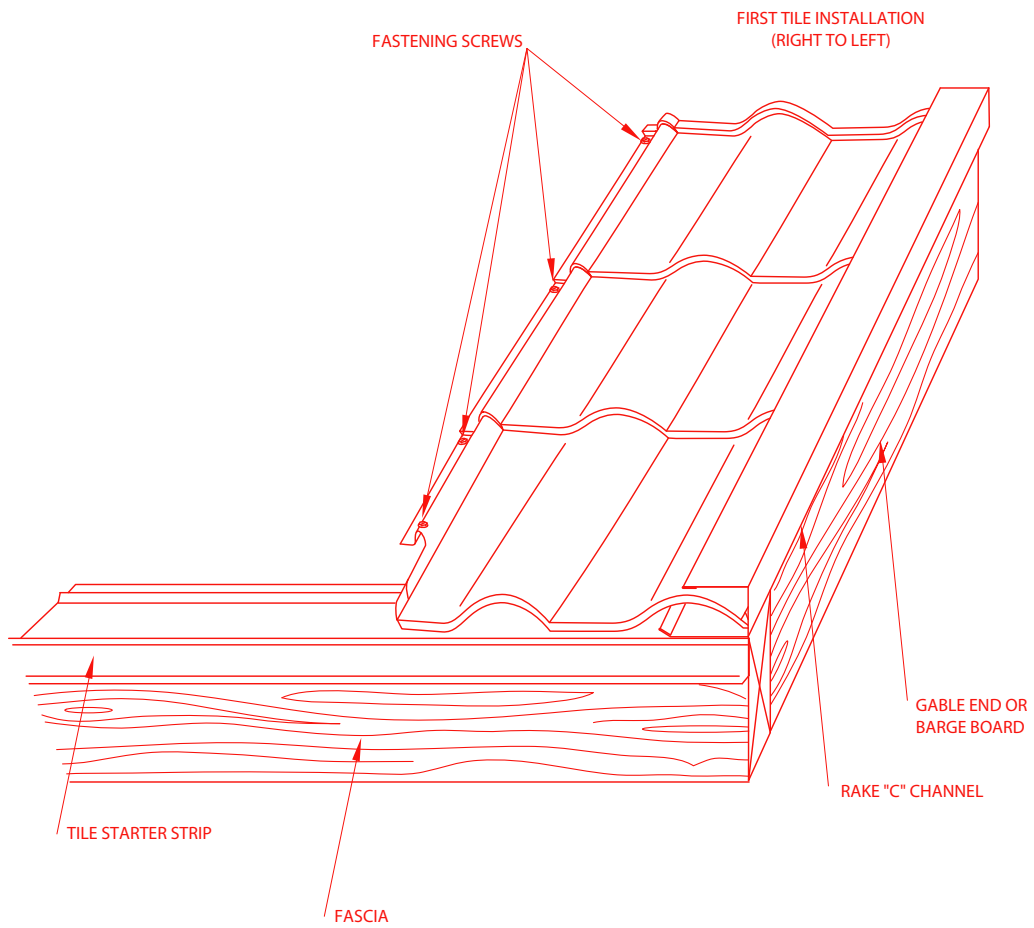


FUTURE ROOF[®] SYSTEMS
9969 RIVER WAY
DELTA, B.C. CANADA V4G 1M8

DATE: JUNE 2003
FILE: AT_START_A

SECTION: 1
PAGE

TILE & STARTER STRIP DETAIL



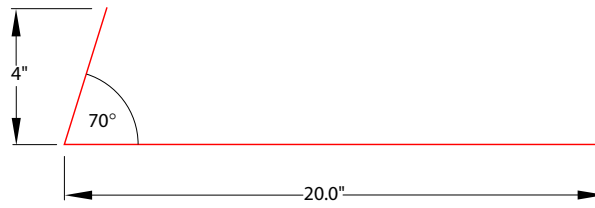
FUTURE ROOF® SYSTEMS
9969 RIVER WAY
DELTA, B.C. CANADA V4G 1M8

DATE: JUNE 2003
FILE: AT_START_D

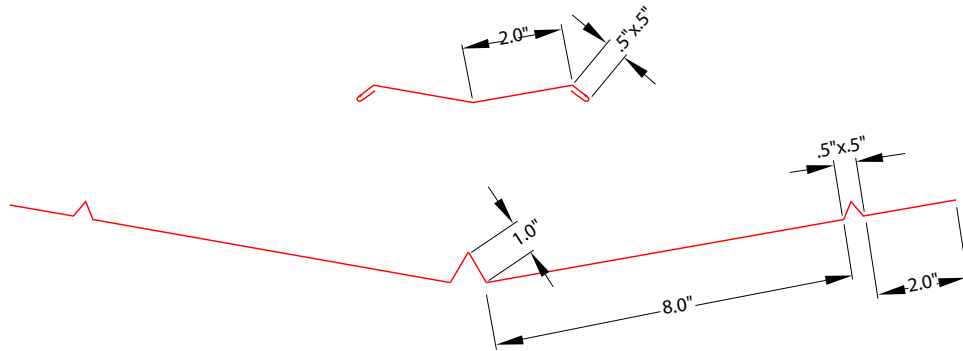
SECTION: 1
PAGE

BACK PAN &
VALLEY & OPTIONAL VALLEY CAP

BACK PAN



VALLEY & OPTIONAL VALLEY CAP

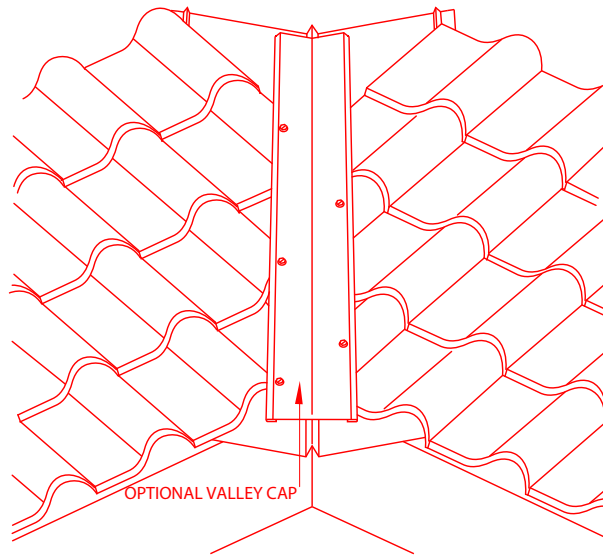
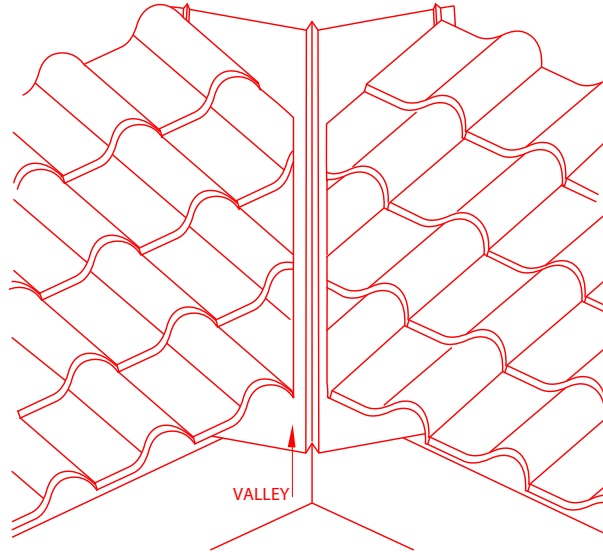


FUTURE ROOF[®] SYSTEMS
9969 RIVER WAY
DELTA, B.C. CANADA V4G 1M8

DATE: JUNE 2003
FILE: AT_VCPBPAN_A

SECTION: 1
PAGE

VALLEY DETAIL

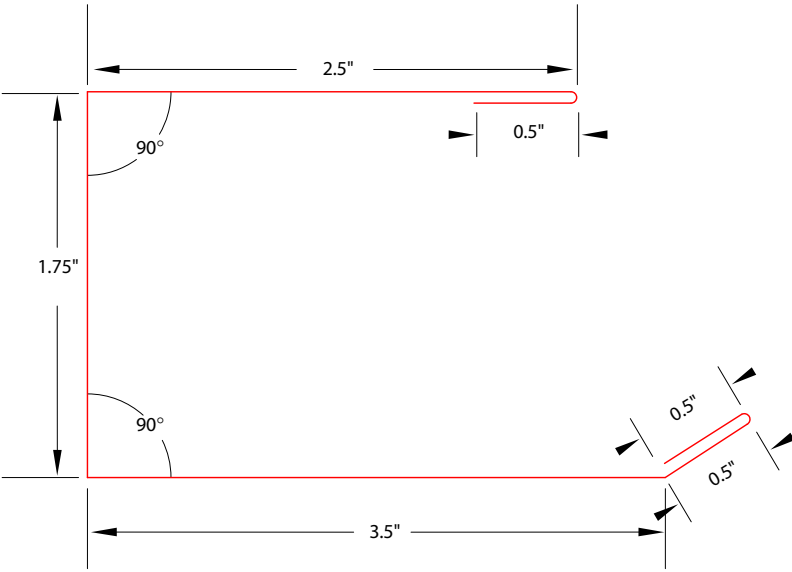


FUTURE ROOF® SYSTEMS
9969 RIVER WAY
DELTA, B.C. CANADA V4G 1M8

DATE: JUNE 2003
FILE: AT_VAL_D

SECTION: 1
PAGE

RAKE "C" CHANNEL
(10 FT.)

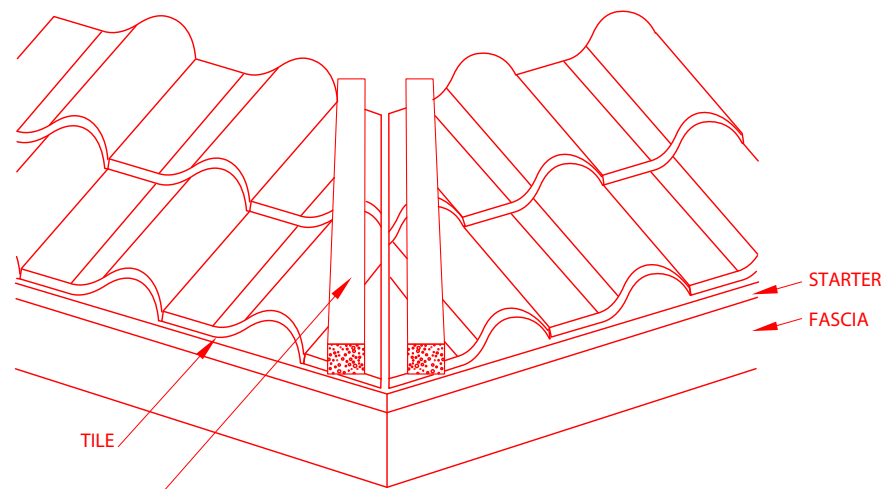


FUTURE ROOF® SYSTEMS
9969 RIVER WAY
DELTA, B.C. CANADA V4G 1M8

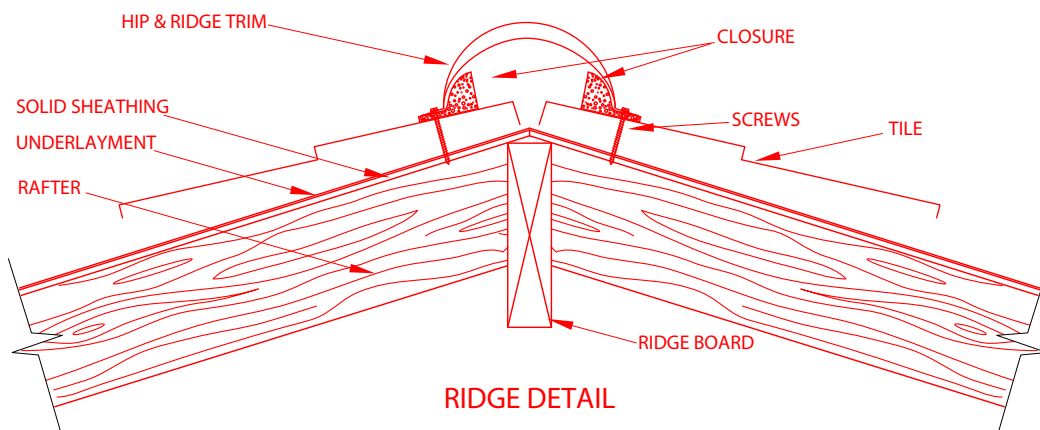
DATE: JUNE 2003
FILE: AT_RAC_A

SECTION: 1
PAGE

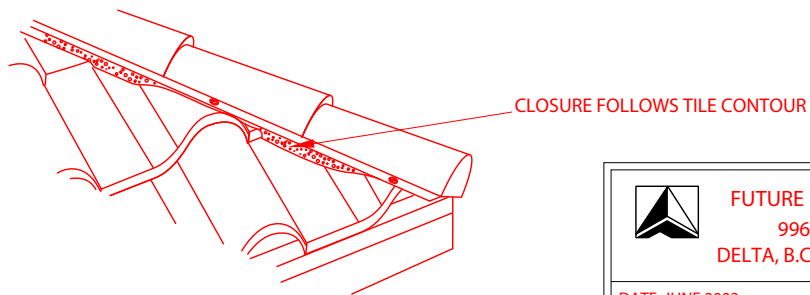
HIP & RIDGE DETAIL



HIP DETAIL



RIDGE DETAIL

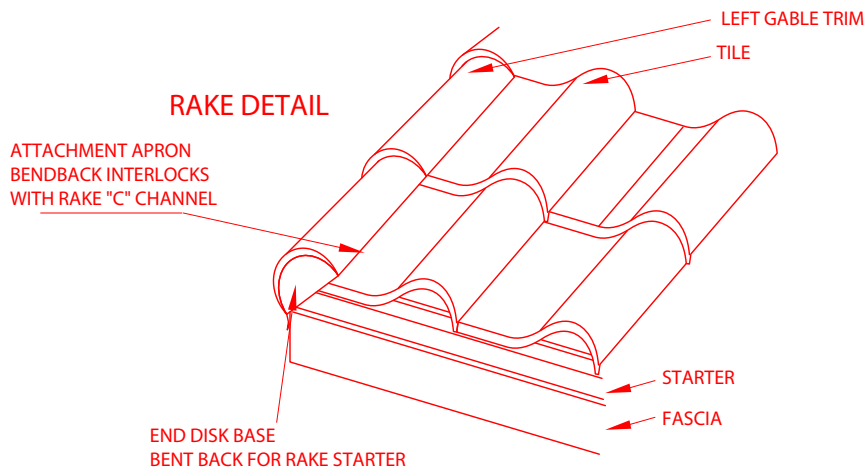
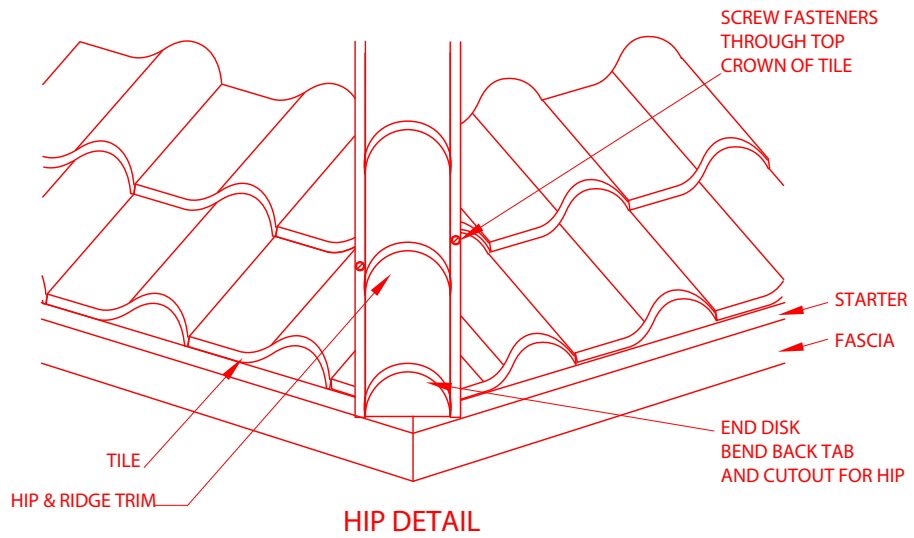


FUTURE ROOF® SYSTEMS
9969 RIVER WAY
DELTA, B.C. CANADA V4G 1M8

DATE: JUNE 2003
FILE: AT_HIPRI_D

SECTION: 1
PAGE

HIP & RAKE DETAIL

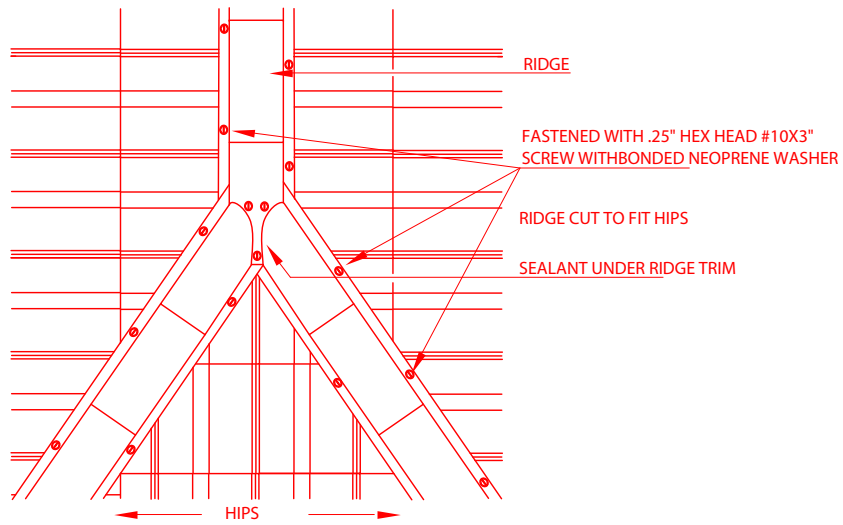
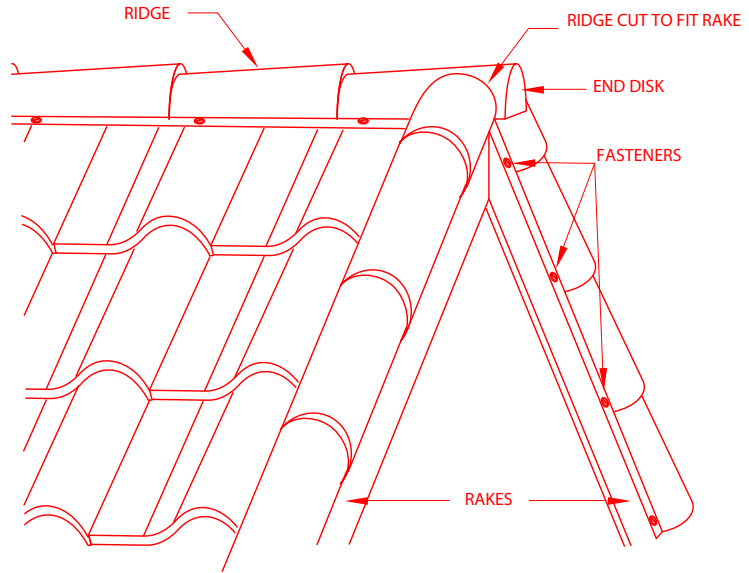


FUTURE ROOF[®] SYSTEMS
9969 RIVER WAY
DELTA, B.C. CANADA V4G 1M8

DATE: JUNE 2003
FILE: AT_HIPRA_D

SECTION: 1
PAGE

RAKE-RIDGE & HIP-RIDGE DETAIL

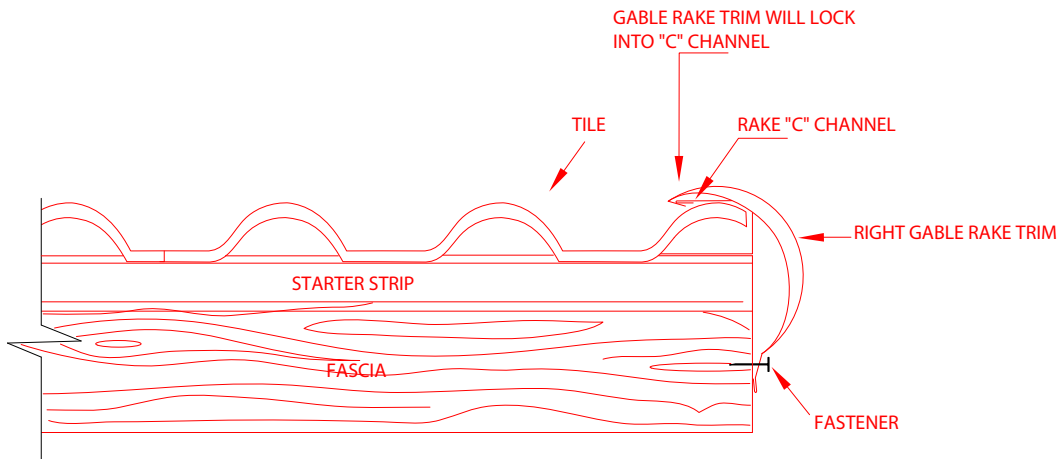


FUTURE ROOF[®] SYSTEMS
9969 RIVER WAY
DELTA, B.C. CANADA V4G 1M8

DATE: JUNE 2003
FILE: AT_HIPRIRA_D

SECTION: 1
PAGE

RAKE DETAIL

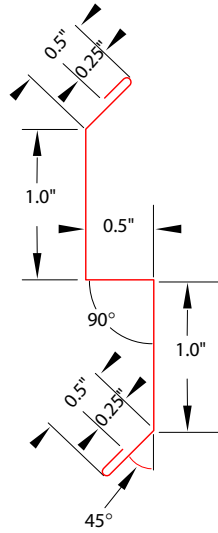


FUTURE ROOF[®] SYSTEMS
9969 RIVER WAY
DELTA, B.C. CANADA V4G 1M8

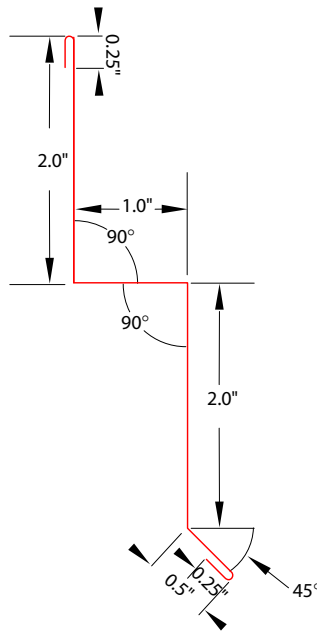
DATE: JUNE 2003
FILE: AT_RA_D

SECTION: 1
PAGE

Z-BAR & REROOF Z-BAR



REROOF Z-BAR (10 FT.)



Z-BAR (10 FT.)

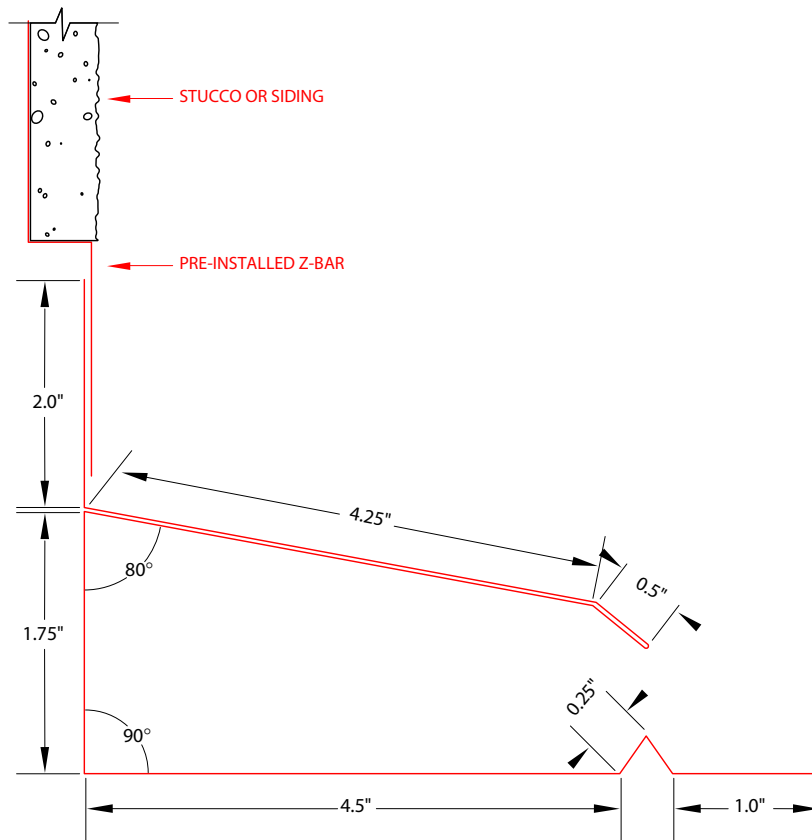


FUTURE ROOF® SYSTEMS
9969 RIVER WAY
DELTA, B.C. CANADA V4G 1M8

DATE: JUNE 2003
FILE: AT_Z_A

SECTION: 1
PAGE

SIDE AND ENDWALL FLASHING (10 FT.)

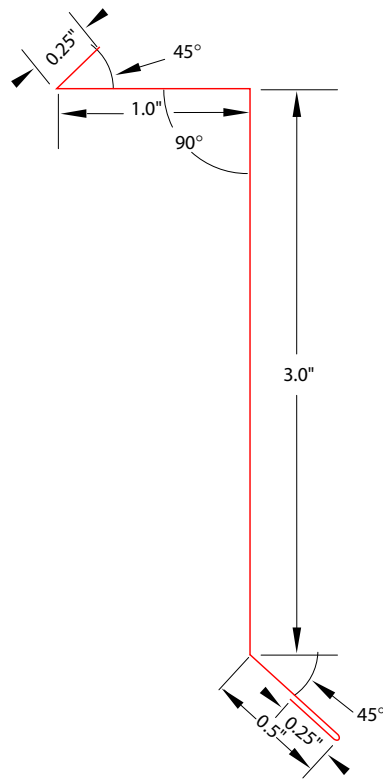


FUTURE ROOF® SYSTEMS
9969 RIVER WAY
DELTA, B.C. CANADA V4G 1M8

DATE: JUNE 2003
FILE: AT_SIDENDFL_A

SECTION: 1
PAGE

CHIMNEY & SIDEWALL
COUNTER FLASHING (10 FT.)

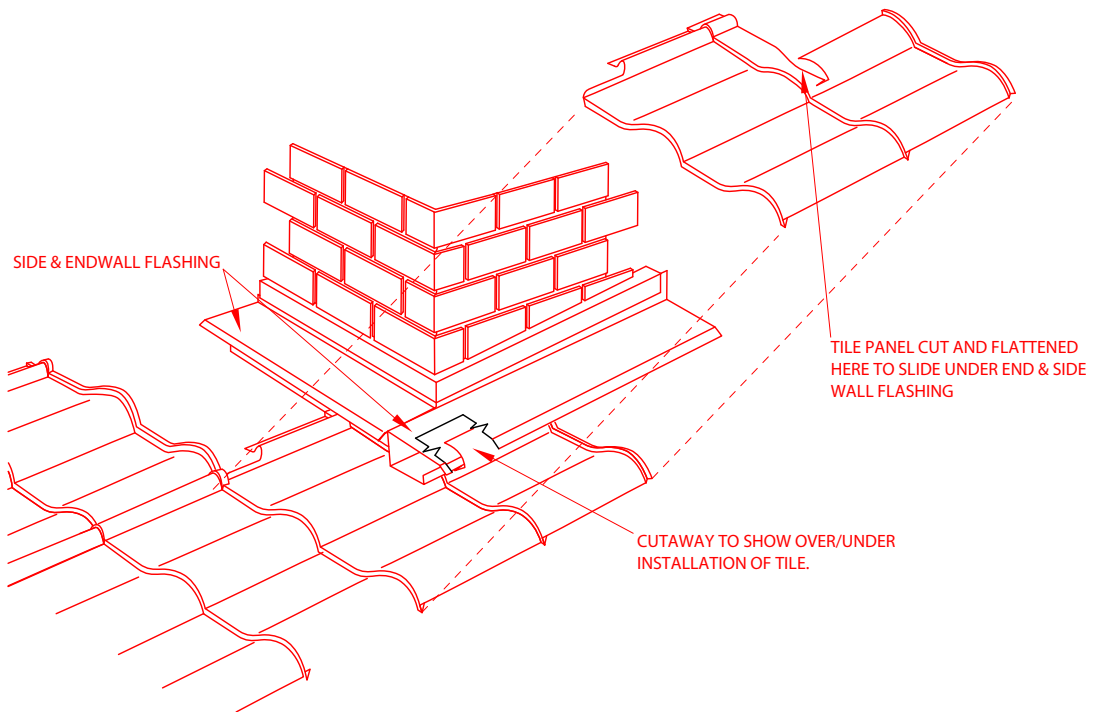


FUTURE ROOF[®] SYSTEMS
9969 RIVER WAY
DELTA, B.C. CANADA V4G 1M8

DATE: JUNE 2003
FILE: AT_CHIMSIDFL_A

SECTION: 1
PAGE

END & SIDE WALL DETAIL

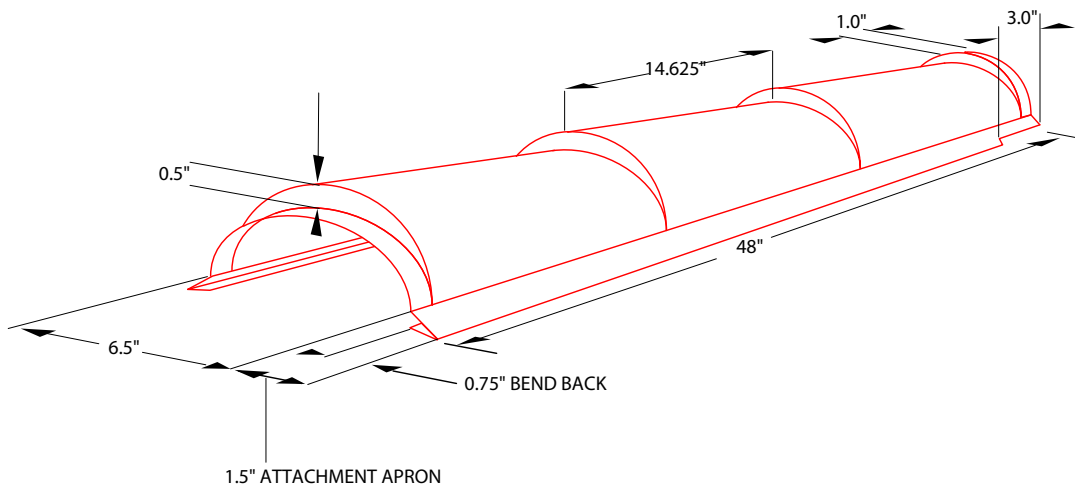


FUTURE ROOF[®] SYSTEMS
9969 RIVER WAY
DELTA, B.C. CANADA V4G 1M8

DATE: JUNE 2003
FILE: AT_ENDSIDWAL_D

SECTION: 1
PAGE

RIDGE & HIP TRIM

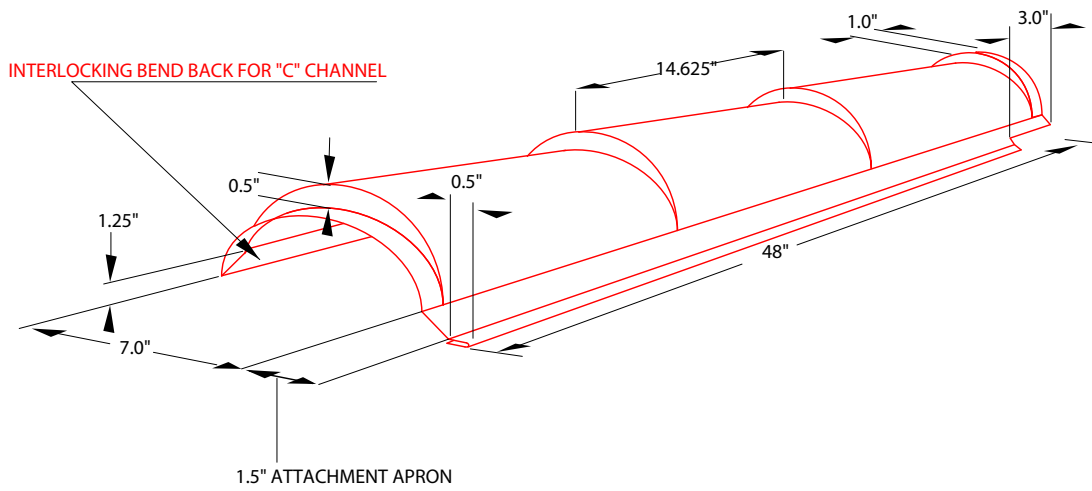


FUTURE ROOF[®] SYSTEMS
9969 RIVER WAY
DELTA, B.C. CANADA V4G 1M8

DATE: JUNE 2003
FILE: AT_RIHIPTRIM_A

SECTION: 1
PAGE

RIGHT GABLE TRIM

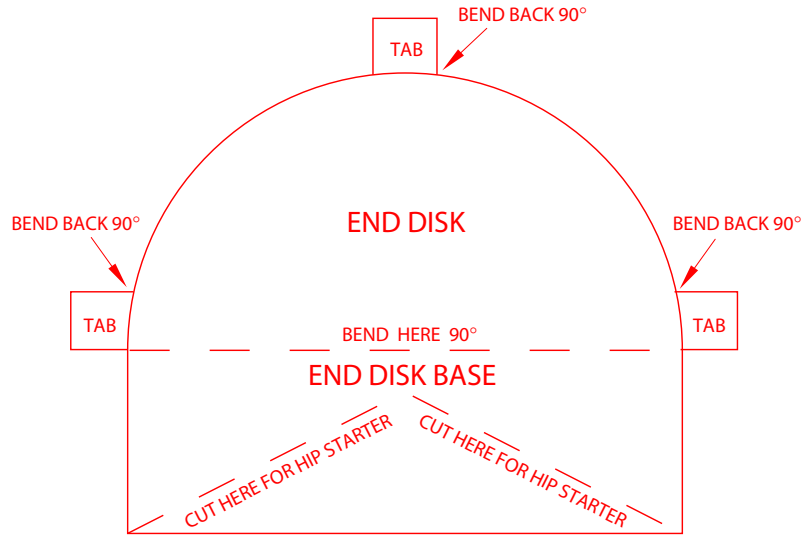


FUTURE ROOF[®] SYSTEMS
9969 RIVER WAY
DELTA, B.C. CANADA V4G 1M8

DATE: JUNE 2003
FILE: AT_RTGATRIM_A

SECTION: 1
PAGE

TEMPLATE END DISK

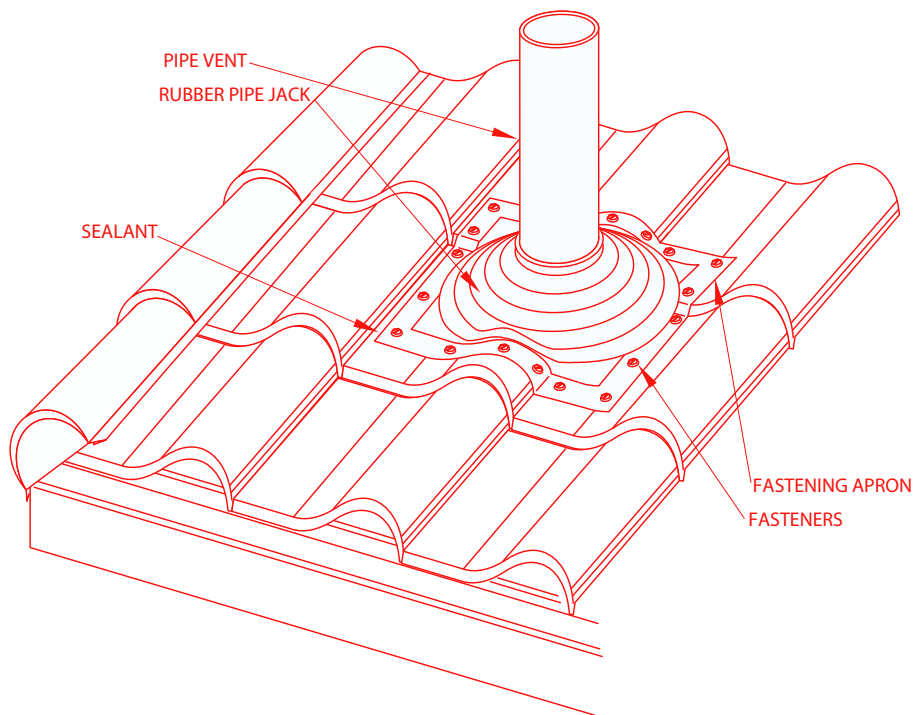


FUTURE ROOF[®] SYSTEMS
9969 RIVER WAY
DELTA, B.C. CANADA V4G 1M8

DATE: JUNE 2003
FILE: AT_ENDISK_A

SECTION: 1
PAGE

RUBBER PIPE FLASHING



FUTURE ROOF® SYSTEMS
9969 RIVER WAY
DELTA, B.C. CANADA V4G 1M8

DATE: JUNE 2003
FILE: AT_RUBPIPFL_D

SECTION: 1
PAGE